

Z2

Z2



Technical sheet

Z2 RECEPTION

Structure

Side panels and modules are in 25mm thick matt, scratch resistant, non-reflective and washable melamine (Mfc); 1,5 mm thick straight anti-shock ABS edges. Panels and modules have adjustable levelling feet.

Worktops

Worktops are in 30mm thick matt, scratch resistant, non-reflective and washable melamine (Mfc); 1,5 mm thick straight anti-shock ABS edges. Optional ABS cable port holes Ø 60mm or aluminium flip top cable box.

Melamine upper modules

30mm thick matt, scratch resistant, non-reflective and washable melamine (Mfc); 2mm thick straight anti-shock ABS edges.

Lacquered upper modules

Melamine upper modules can be lacquered matt finish.

Tubular legs

Squared 50x50mm tubular steel, epoxy painted and equipped with adjustable levelling foot.

Reception upper module brackets

Brackets for upper modules are in squared 25x25mm tubular steel, epoxy painted.

Worktop brackets

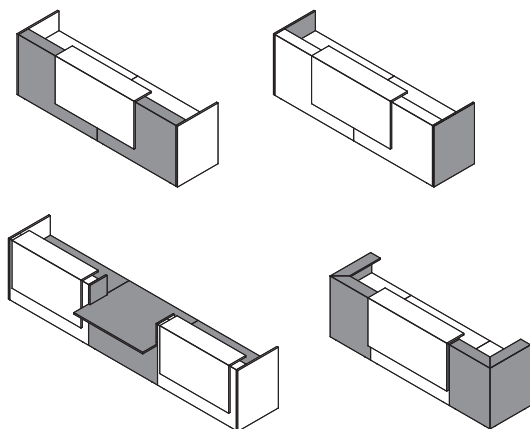
Worktop brackets are in 3mm thick epoxy painted metal sheet.

Lighting system

LED strip cold-light effect on the floor for reception upper modules, consisting of 240 LEDs /m mounted on a flexible circuit with power output of 19.2 W/m. Available sizes 120/140/160cm, strip can be folded or cut without compromising functionality. To be fixed on the internal part of the reception upper modules with adhesive film.

LED lamp cold-light effect for desk top, consisting of 240 LEDs/m with power of 21W. Body in extruded anodized aluminum profile with polycarbonate opal cover. Soft touch ignition.

Power supply for LED strip and lamp at 1A with 24W power input 190-250V AC. Power cable length 200cm, power switch included. To be fixed with screws.



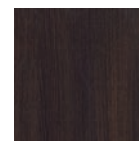
Modules, side panels and worktops

ME - Melamine

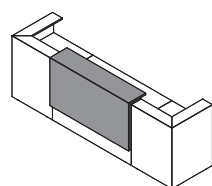
BA - WHITE



WE - WENGÉ



NO - CANALETTO WALNUT



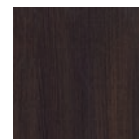
Upper module

ME - Melamine

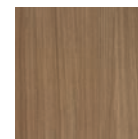
BA - WHITE



WE - WENGÉ



NO - CANALETTO WALNUT



L - Matt lacquered

***ON STOCK**

****PRODUCTION LEAD TIME: 5 WEEKS; STANDARD LACQUERED FINISHES, ANY RAL COLOR AVAILABLE ON DEMAND**

****LT** - BEIGE GREY
RAL7006



****LL** - GREY WHITE
RAL9002



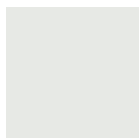
****LS** - SILK GREY
RAL7044



***LA** - ORANGE
RAL2000



****LB** - WHITE
RAL9003



***LE** - BEIGE
RAL1019



***LO** - SHADOW
GREY RAL7022



***LG** - GREY
RAL7004



***LV** - GREEN
RAL6013



****LX** - GOLDEN
YELLOW RAL1004



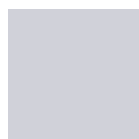
****LM** - GREY
BROWN RAL8019



****LR** - PURPLE
RED RAL3004



****LF** - TELEGREY 4
RAL7047



****LC** - PIGEON
BLUE RAL5014



****LY** - VIOLET BLUE
RAL5000



****LZ** - SAPPHIRE
BLUE RAL5003

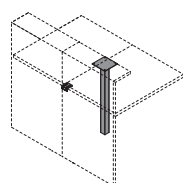
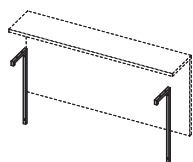


****LN** - TRAFFIC
BLACK RAL9017



Brackets and leg

M - Metal



A - SILVER RAL 9006

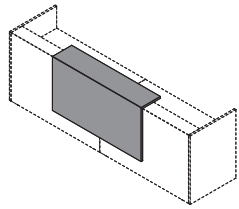
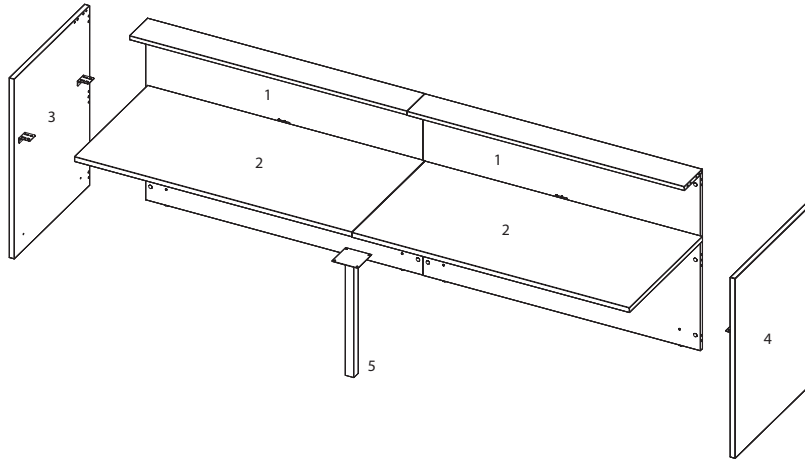


O - MATT WHITE RAL 9010



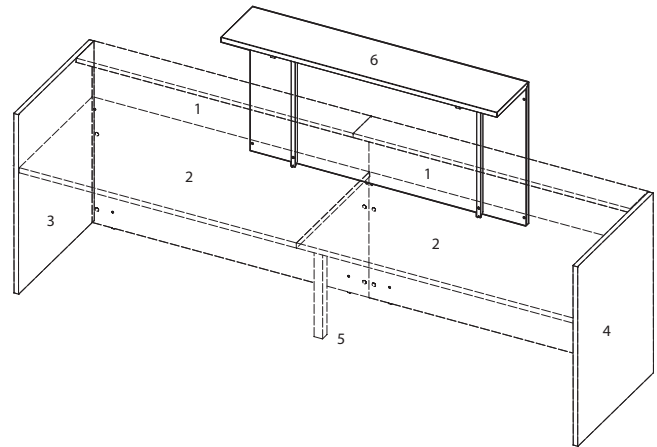
Technical features

STRAIGHT CONFIGURATION WITH SIDE PANELS

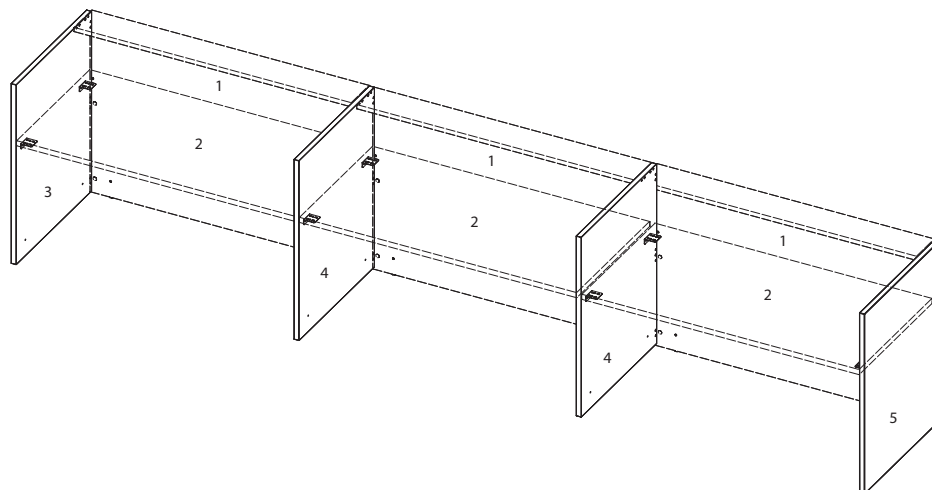


- 1. straight module
- 2. worktop
- 3. LH end side panel
- 4. RH end side panel
- 5. middle leg
- 6. upper module

UPPER MODULE

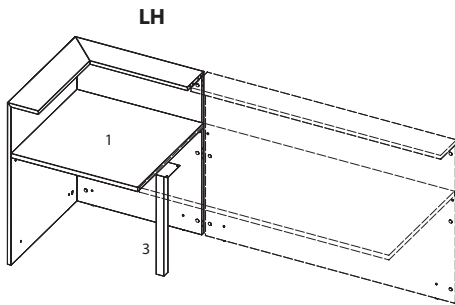


STRAIGHT CONFIGURATION WITH SIDE AND MIDDLE PANELS

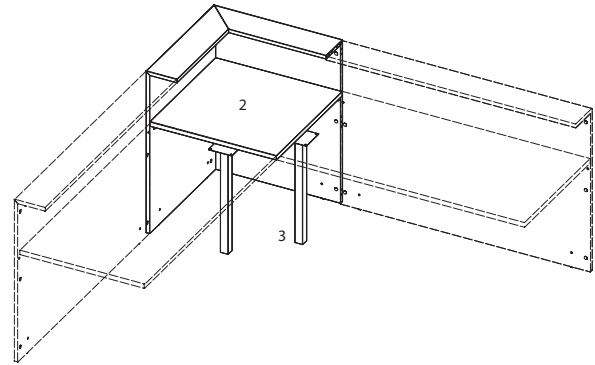


- 1. straight module
- 2. worktop
- 3. LH end side panel
- 4. middle panel
- 5. RH end side panel

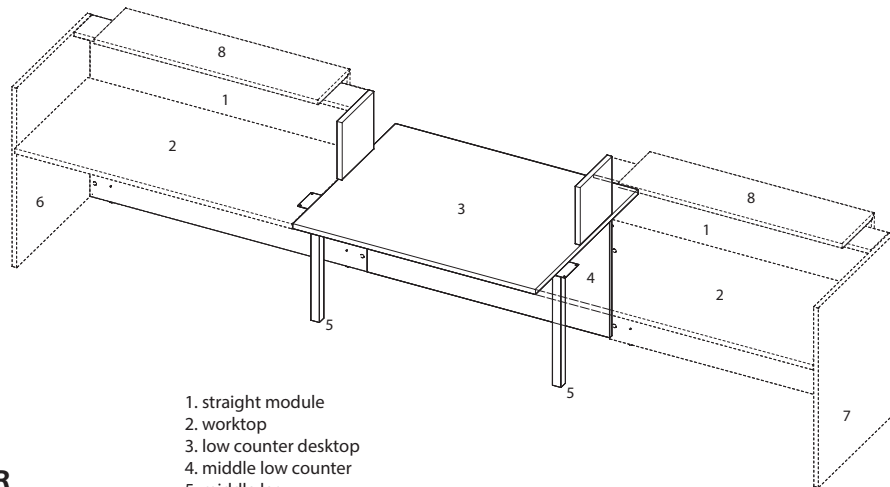
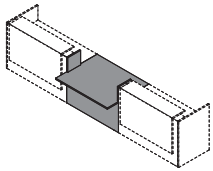
90° END CORNER



- 1. 90° end corner
- 2. 90° middle corner
- 3. middle leg

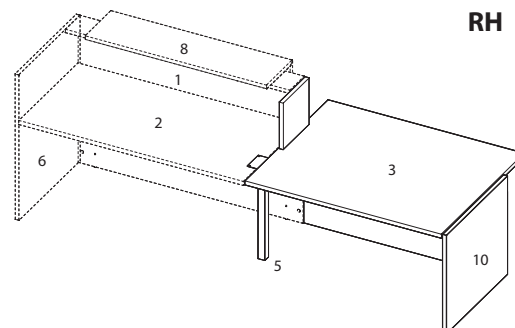
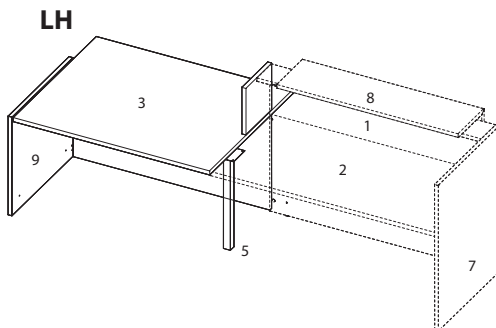


CONFIGURATION WITH MIDDLE LOW COUNTER

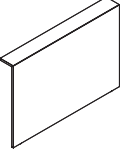
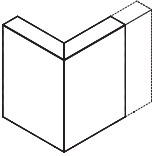
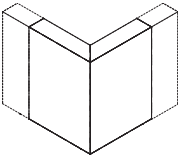
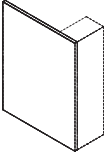


- 1. straight module
- 2. worktop
- 3. low counter desktop
- 4. middle low counter
- 5. middle leg
- 6. LH end side panel
- 7. RH end side panel
- 8. upper module
- 9. LH low counter
- 10. RH low counter

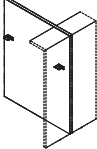
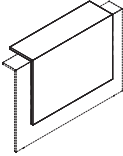
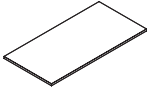
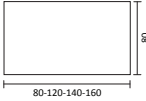
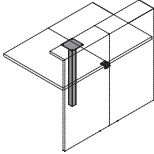
CONFIGURATION WITH END LOW COUNTER



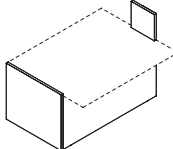
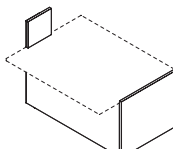
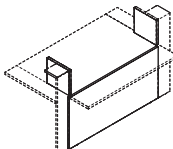
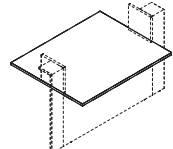
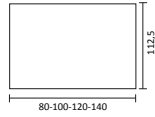
Z2 - Modules and components

DESCRIPTION	SIZES			CODE	FINISHES		CBM	KGS	PARCELS
	W.	D.	H.		ME melamine	L lacquered			
Straight module 	100	20	107,5	Z2R04			0,090	25	1
	120	20	107,5	Z2R01			0,101	29	1
	140	20	107,5	Z2R02			0,116	33	1
	160	20	107,5	Z2R03			0,132	38	1
End 90° corner (Z2R11 LH, Z2R12 RH) 	82,5	82,5	107,5	Z2R11	pts		0,092	38	1
	82,5	82,5	107,5	Z2R12	pts		0,092	38	1
Middle 90° corner 	82,5	82,5	107,5	Z2R10	pts		0,092	38	1
End side panel (Z2R20 LH, Z2R21 RH) 	82,5	3	107,5	Z2R20	pts		0,037	42	2
	82,5	3	107,5	Z2R21	pts		0,037	42	2


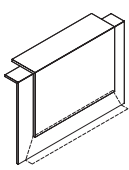
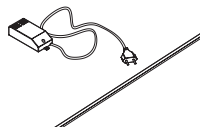
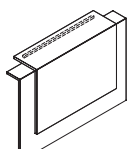
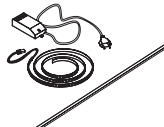
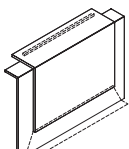
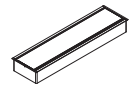
Z2 - Modules and components

DESCRIPTION	SIZES			CODE	FINISHES		CBM	KGS	PARCELS
	W.	D.	H.		ME melamine	L lacquered			
Middle panel 	82,5	3	107,5	Z2R25	pts		0,039	24	3
Reception upper module 	100	35	84,5	Z2R33	pts	pts	0,074	31	2
	120	35	84,5	Z2R30	pts	pts	0,109	36	2
	140	35	84,5	Z2R31	pts	pts	0,125	41	2
	160	35	84,5	Z2R32	pts	pts	0,140	47	2
	Lacquered RAL colours not on stock or any RAL colour: + pts 200 (5 weeks production lead time)								
30mm thick worktop  	80	80	3	Z2R40	pts		0,046	14	1
	100	80	3	Z2R44	pts		0,050	21	1
	120	80	3	Z2R41	pts		0,055	22	1
	140	80	3	Z2R42	pts		0,079	23	1
	160	80	3	Z2R43	pts		0,089	26	1
Middle leg with hardware 	5	5	70	Z2R45	pts		0,022	7,5	2


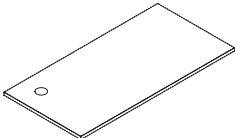


Z2 - Modules and components

DESCRIPTION	SIZES			CODE	FINISHES	CBM	KGS	PARCELS
	W.	D.	H.					
RH end low counter 	80	82,5	107,5	Z2R62	pts	0,051	31,5	4
	100	82,5	107,5	Z2R64	pts	0,055	33,5	4
	120	82,5	107,5	Z2R66	pts	0,060	36,5	4
	140	82,5	107,5	Z2R17	pts	0,065	39	4
	Please add worktop							
LH end low counter 	80	82,5	107,5	Z2R61	pts	0,051	31,5	4
	100	82,5	107,5	Z2R63	pts	0,055	33,5	4
	120	82,5	107,5	Z2R65	pts	0,060	36,5	4
	140	82,5	107,5	Z2R16	pts	0,065	39	4
	Please add worktop							
Middle low counter 	80	82,5	107,5	Z2R51	pts	0,032	21,5	4
	100	82,5	107,5	Z2R52	pts	0,037	23,5	4
	120	82,5	107,5	Z2R53	pts	0,041	26,5	4
	140	82,5	107,5	Z2R15	pts	0,046	29	4
	Please add worktop							
30mm thick low counter worktop  	80	112,5	3	Z2R47	pts	0,035	21	1
	100	112,5	3	Z2R48	pts	0,043	26	1
	120	112,5	3	Z2R49	pts	0,051	31	1
	140	112,5	3	Z2R46	pts	0,060	36	1

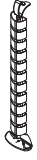
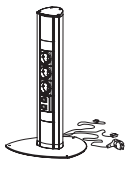
Z2 - Accessories

DESCRIPTION	SIZES			CODE	OPTIONS	CBM	KGS	PARCELS
	W.	D.	H.					
Led ON/OFF switch for upper module  	100			Z2E04		0,002	1,5	3
	120			Z2E01		0,002	1,5	3
	140			Z2E02		0,002	1,5	3
	160			Z2E03		0,002	1,5	3
	Power supplier with EU plug included; UK adapter + pts 20							
Workstation soft-touch light  	110			Z2E10		0,003	2,3	2
	Power supplier with EU plug included; UK adapter + pts 20; do not use with W. 100cm							
Kit led ON/OFF switch + workstation soft-touch light for upper module; 1 pc for every upper module  	100			Z2E14		0,004	3,3	4
	120			Z2E11		0,004	3,3	4
	140			Z2E12		0,004	3,3	4
	160			Z2E13		0,004	3,3	4
	Power supplier with EU plug included; UK adapter + pts 20							
Aluminium flip top cable box with black brush and metal cable tray; available in matt white (O) or alu (A) 	30	12	12	ACVAF04		0,006	1	1
	45	12	12	ACVAF03		0,006	1	1
	Melamine worktops cutout included: please indicate the position of the cutout in the order							

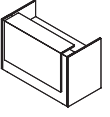
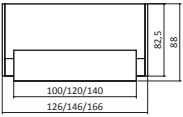
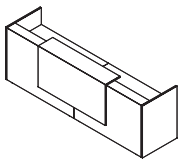
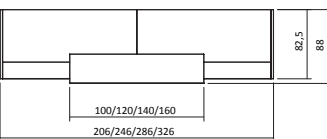
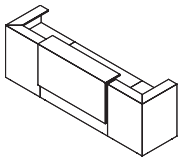
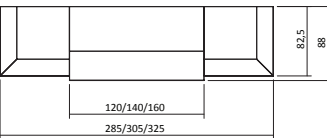
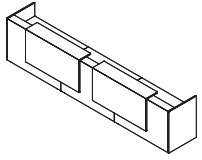
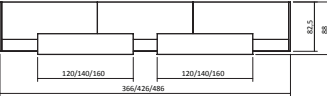
Z2 - Accessories

DESCRIPTION	SIZES			CODE	OPTIONS	CBM	KGS	PARCELS
	W.	D.	H.					
ø60mm abs grommet 				ACGE101		0,000	0,1	1
				ACGE106		0,000	0,1	1
	Available in silver/white finish (ACGE101) and chromed (ACGE106)							
Melamine worktop cutout for porthole 				ACGE105		0,000	0	1
	Please indicate the position of the cutout in the order							
Horizontal cable tray, PVC, to be fixed under the desktop 	60	13	70	COCN080		0,005	0,5	1
	100	13	70	COCN120		0,009	0,7	1
	140	13	70	COCN160		0,013	0,5	1
Vertical wire management 	4	2	69	COCAPA1		0,004	0,5	1

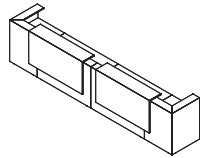
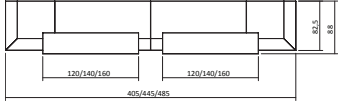
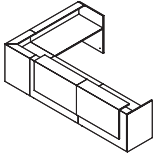
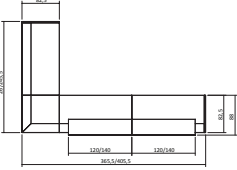
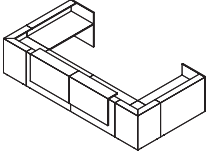
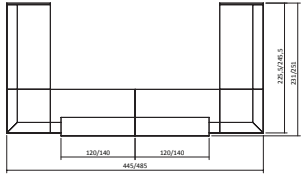
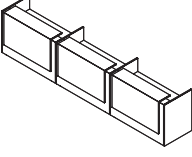
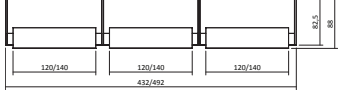
Z2 - Accessories

DESCRIPTION	SIZES			CODE	OPTIONS	CBM	KGS	PARCELS
	W.	D.	H.					
ABS translucent vertebra cable riser 	8	4	74	FECN002		0,006	0,5	1
Multiple flooring plug with data accessory 	27	27	48	PCKM02		0,041	3,9	1
N° 3 Schuko sockets + N° 1 data kit								

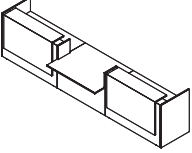
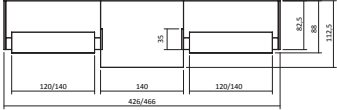
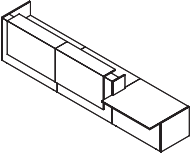
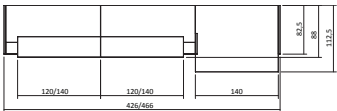
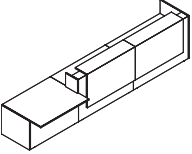
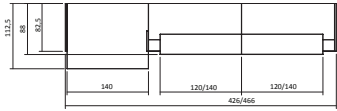
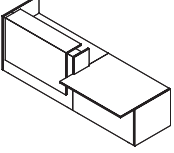
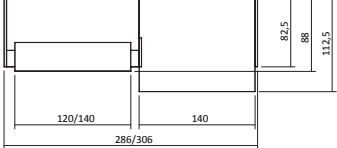
Z2 - Configurations

DESCRIPTION	SIZES			CODE	FINISHES		CBM	KGS	PARCELS
	W.	D.	H.		ME melamine	L lacquered			
Straight individual configuration with end side panels  	126	88	113	Z2C71	pts	pts	0,304	163	8
	146	88	113	Z2C72	pts	pts	0,378	172	8
	166	88	113	Z2C73	pts	pts	0,420	189	8
	Lacquered RAL colours not on stock or any RAL colour: + pts 200 (5 weeks production lead time)								
Straight configuration with end side panels  	206	88	113	Z2C04	pts	pts	0,450	214,5	12
	246	88	113	Z2C01	pts	pts	0,516	223,5	12
	286	88	113	Z2C02	pts	pts	0,611	244,5	12
	326	88	113	Z2C03	pts	pts	0,678	266,5	12
Lacquered RAL colours not on stock or any RAL colour: + pts 200 (5 weeks production lead time)									
Straight configuration with end 90° corners  	285	88	113	Z2C05	pts	pts	0,586	203	12
	305	88	113	Z2C06	pts	pts	0,641	216	12
	325	88	113	Z2C07	pts	pts	0,683	230	12
	Lacquered RAL colours not on stock or any RAL colour: + pts 200 (5 weeks production lead time)								
Straight configuration with end side panels  	366	88	113	Z2C10	pts	pts	0,803	315	18
	426	88	113	Z2C11	pts	pts	0,953	349	18
	486	88	113	Z2C12	pts	pts	1,061	385	18
	Lacquered RAL colours not on stock or any RAL colour: + pts 400 (5 weeks production lead time)								

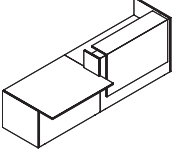
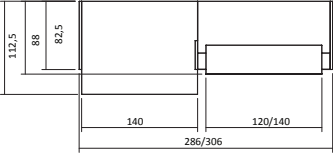
Z2 - Configurations

DESCRIPTION	SIZES			CODE	FINISHES		CBM	KGS	PARCELS	
	W.	D.	H.		ME melamine	L lacquered				
Straight configuration with end 90° corners  	405	88	113	Z2C20	pts	pts	0,873	294,5	18	
	445	88	113	Z2C21	pts	pts	0,983	320,5	18	
	485	88	113	Z2C22	pts	pts	1,066	348,5	18	
	Lacquered RAL colours not on stock or any RAL colour: + pts 400 (5 weeks production lead time)									
"L" shape configuration with end side panels  	365,5	205,5	113	Z2C25	pts	pts	1,082	398,5	22	
	405,5	245,5	113	Z2C26	pts	pts	1,190	432,5	22	
	Lacquered RAL colours not on stock or any RAL colour: + pts 400 (5 weeks production lead time)									
	"U" shape configuration with end side panels  	445	231	113	Z2C30	pts	pts	1,460	521,5	30
485		251	113	Z2C31	pts	pts	1,594	563,5	30	
Lacquered RAL colours not on stock or any RAL colour: + pts 400 (5 weeks production lead time)										
Straight configuration: 3 modules with middle and end side panels  		432	88	113	Z2C35	pts	pts	1,064	408	22
	492	88	113	Z2C36	pts	pts	1,188	447	22	
	Lacquered RAL colours not on stock or any RAL colour: + pts 600 (5 weeks production lead time)									

Z2 - Configurations

DESCRIPTION	SIZES			CODE	FINISHES		CBM	KGS	PARCELS
	W.	D.	H.		ME melamine	L lacquered			
Straight configuration: 2 modules and middle low counter  	426	112,5	113	Z2C40	pts	pts	0,831	347,5	21
	466	112,5	113	Z2C41	pts	pts	0,914	373,5	21
	Lacquered RAL colours not on stock or any RAL colour: + pts 400 (5 weeks production lead time)								
Straight configuration: 2 modules and LH end low counter  	426	112,5	113	Z2C45	pts	pts	0,831	315,5	19
	466	112,5	113	Z2C46	pts	pts	0,914	341,5	19
	Lacquered RAL colours not on stock or any RAL colour: + pts 400 (5 weeks production lead time)								
Straight configuration: 2 modules and RH end low counter  	426	112,5	113	Z2C50	pts	pts	0,813	315,5	19
	466	112,5	113	Z2C51	pts	pts	0,896	341,5	19
	Lacquered RAL colours not on stock or any RAL colour: + pts 400 (5 weeks production lead time)								
Straight configuration: 1 module and LH end low counter  	286	112,5	113	Z2C55	pts	pts	0,487	216	13
	306	112,5	113	Z2C56	pts	pts	0,528	229	13
	Lacquered RAL colours not on stock or any RAL colour: + pts 200 (5 weeks production lead time)								

Z2 - Configurations

DESCRIPTION	SIZES			CODE	FINISHES		CBM	KGS	PARCELS
	W.	D.	H.		ME melamine	L lacquered			
Straight configuration: 1 module and RH end low counter  	286	112,5	113	Z2C57	pts	pts	0,487	216	13
	306	112,5	113	Z2C58	pts	pts	0,528	229	13
	Lacquered RAL colours not on stock or any RAL colour: + pts 200 (5 weeks production lead time)								